

Crane specification

 Serial number **599xxx**
 Year of construction **20xx**

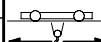
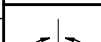

 Crane group : A3 as per FEM 1.001
 Loadspectrum : Q1 as per FEM 1.001
 Classification : U4 as per FEM 1.001
 Stability : as per FEM 1.001

 Max. load
9,0 tonne

 Max.radius
with max. load
13 m

 Max. capacity
117 tm

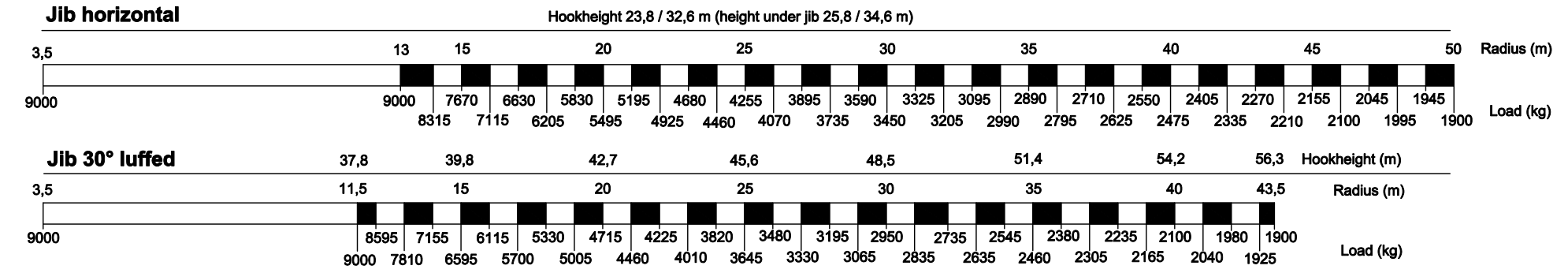
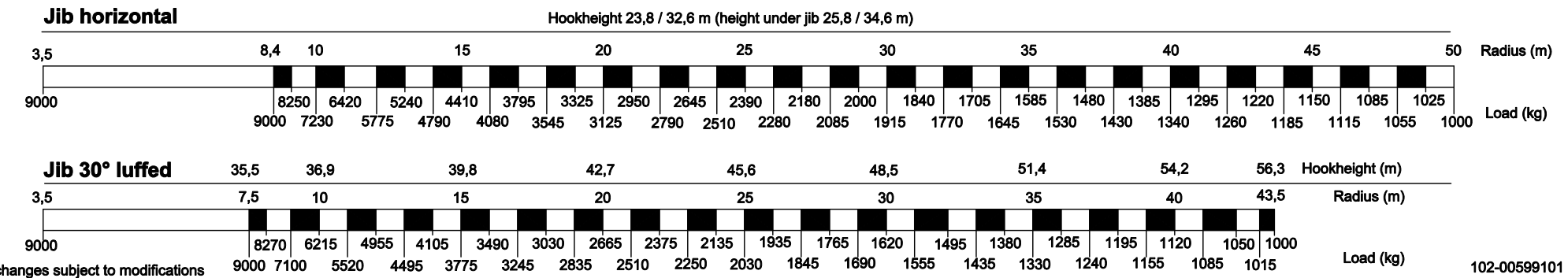
 Max. jib length
50 m

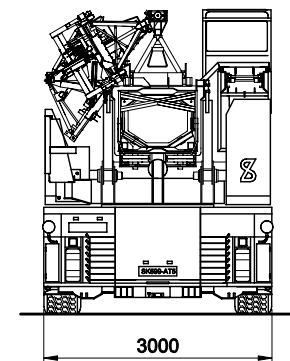
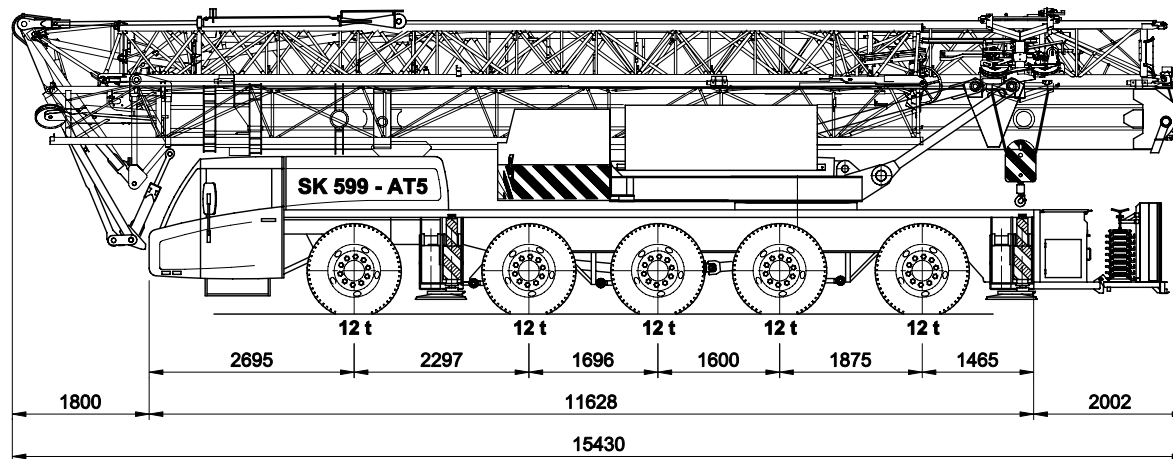
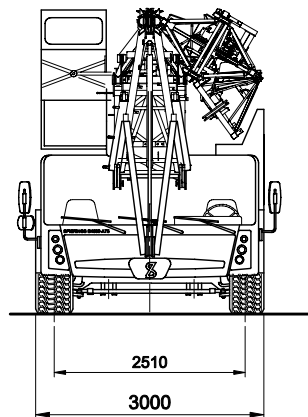
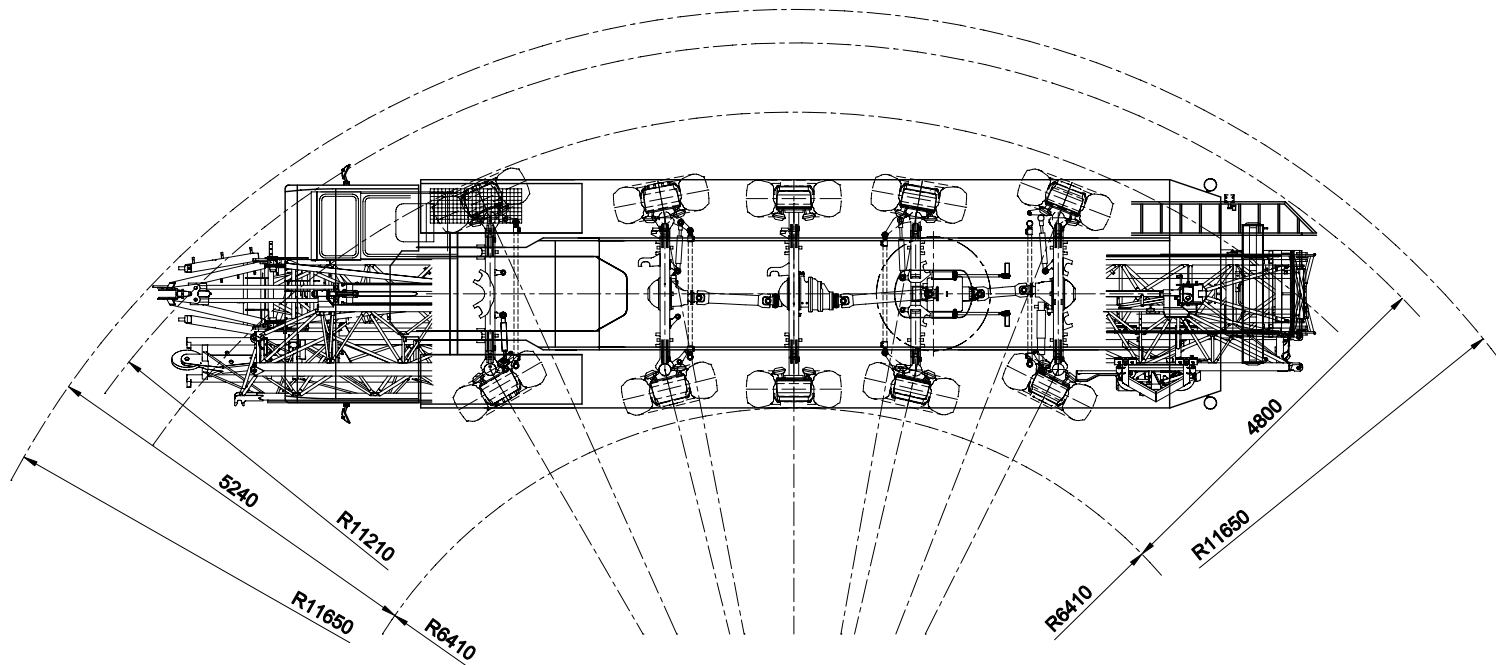
Speeds		Jib horizontal / jib 30° luffed	
m/min	kg		
20	9000		0 - 70 m/min
32	4500		
50	2250		0 - 0,9 rpm
75	0		

 All motions with hydraulic proportional controls.
 Luffing the jib 30° can be controlled from crane cab or by remote control.
 The crane should be folded in at wind force 9 (Bf) (21 m/sec) or when not in use for a longer period.

 Counterweight crane: 10380 kg.
 Continues slewing (360°) with outriggers out and support pads down.
 Crane can be driven in its erected position under special conditions (refer user guide).

 Rated lift capacity is net capacity.
 Always two parts of line.
 Max. line pull force: 4500 kg.
 Operating temperature range from: -15°C till + 40°C.
 Sail area of the load max.: 1,0 m²/ ton.

 Outrigger positioned according to lifting chart
 Outrigger support base : **7,50 m x 7,66 m**.
 Operation allowed up to wind force 8 Bf (17 m/sec).
 Outrigger support base : **7,50 m x 5,72 m**.
 Operation allowed up to wind force 8 Bf (17 m/sec).
Max. outrigger force: 440kN.
Lifting chart Outrigger support base 7,50 m x 7,66 m

Lifting chart Outrigger support base 7,50 m x 5,72 m




Spierings Hydraulic Folding Crane

SK 599 - AT5

Total weight: 60000 kg
changes subject to modifications

SPIERINGS
MOBILE CRANES

Merwedestraat 15
5347 KZ Oss NL
Tel. +31 (0)412-626964
Fax +31 (0)412-645299
www.spieringscranes.com

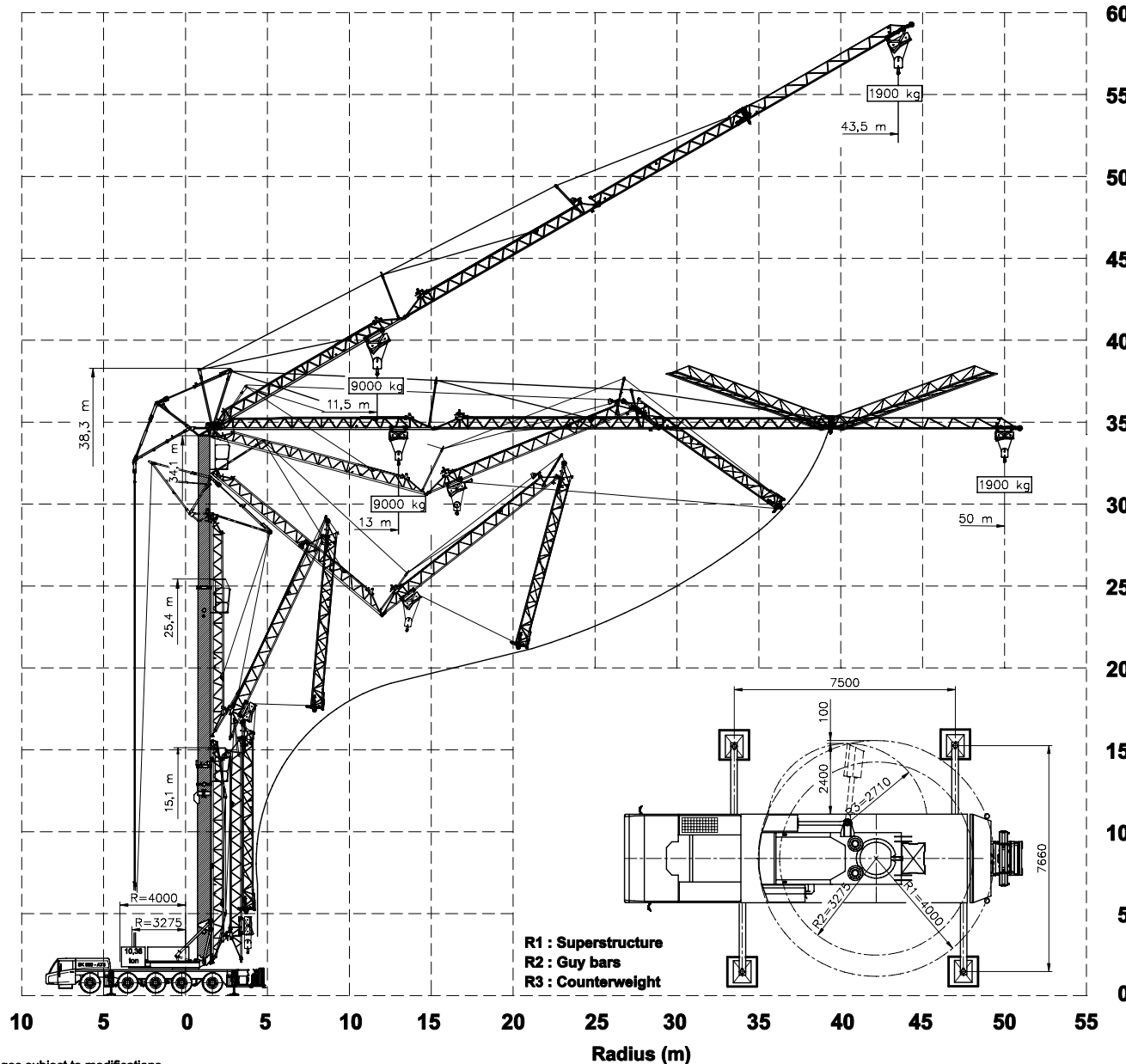
102-00599102

SPIERINGS HYDRAULIC FOLDING CRANE SK599-AT5

599xxx

Erection procedure of the crane

- Max. outrigger force : 440 kN
- Outrigger support pads : 750x600 mm
- Ground pressure : 1,00 N/mm²
- Jib can be unfolded through 360°
- Luffing the jib 30° can be controlled from the crane cab or remote control
- Outrigger support plates : 1000x1000 mm
- surface : 1,00 m²
- Ground pressure : 0,44 N/mm²



SPIERINGS
MOBILE CRANES

Merwedestraat 15
5347 KZ Oss NL
Tel. +31 (0)412-626964
Fax +31 (0)412-645299
www.spieringscranes.com

102-00599103

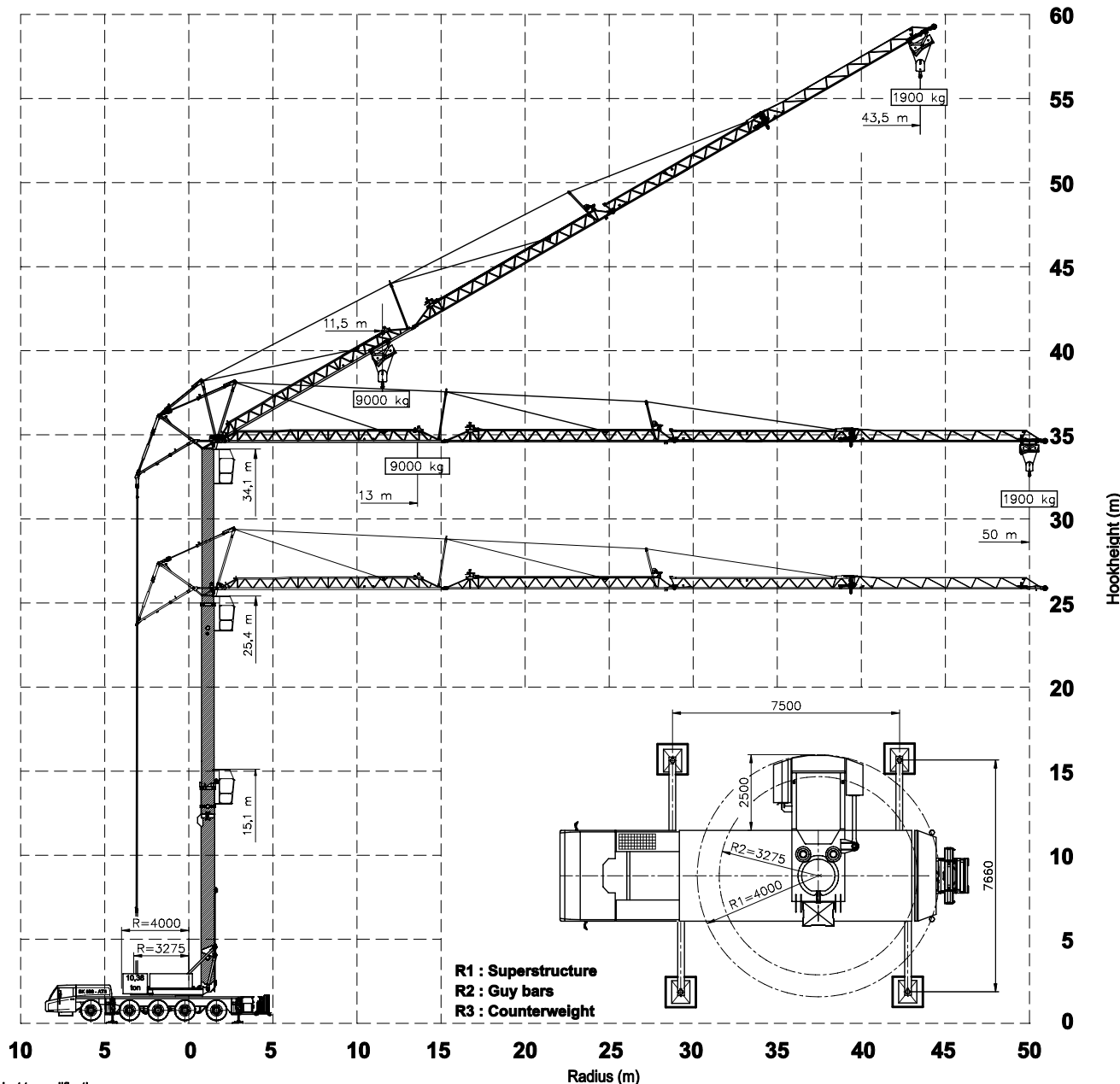
SPIERINGS HYDRAULIC FOLDING CRANE SK599-AT5

599xxx

Hoisting Specifications

Outrigger support base

7,50 m x 7,66 m



SPIERINGS
MOBILE CRANES

Merwedestraat 15
5347 KZ Oss NL
Tel. +31 (0)412-626964
Fax +31 (0)412-645299
www.spieringscranes.com

102-00599104

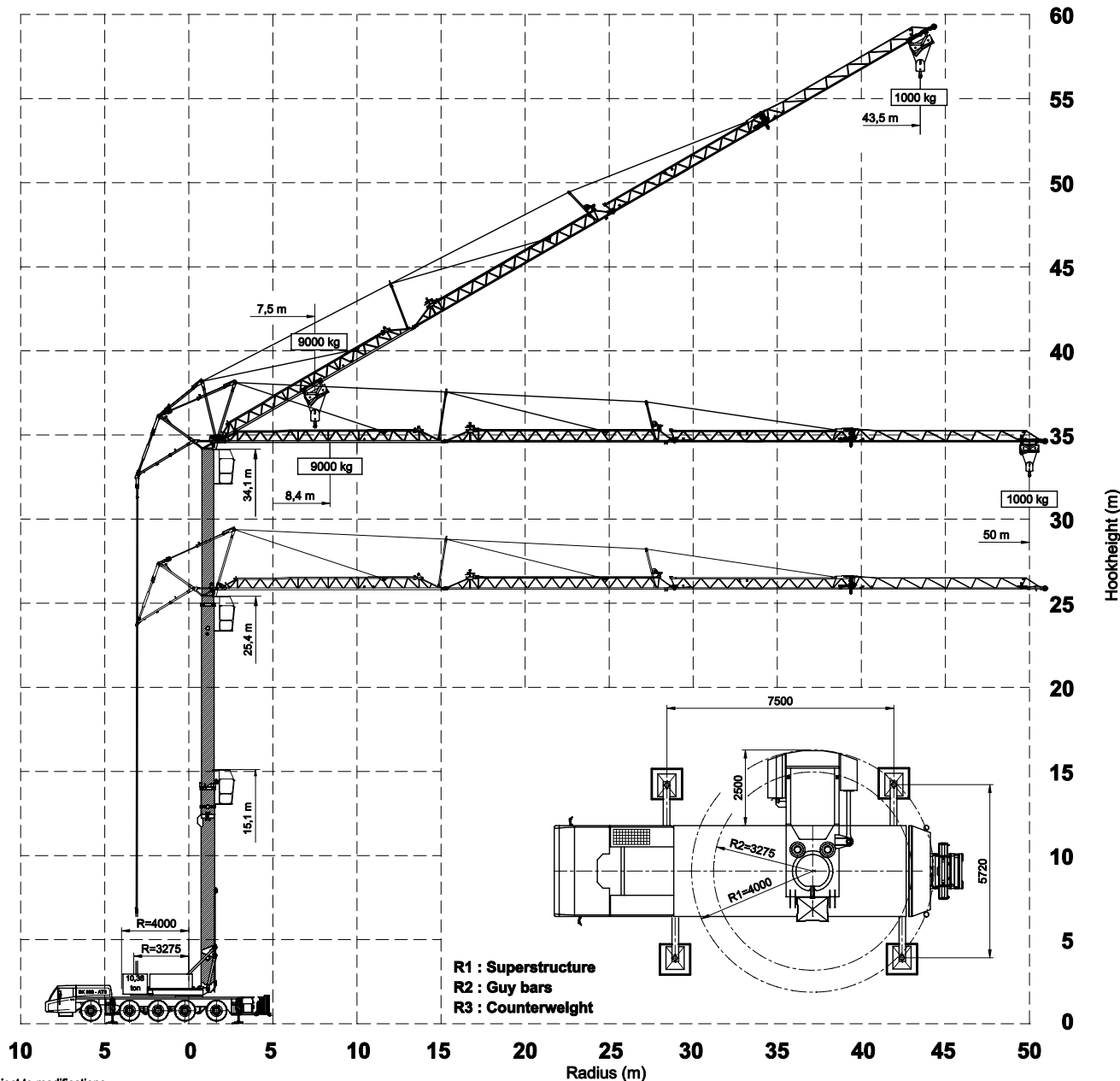
SPIERINGS HYDRAULIC FOLDING CRANE

SK599-AT5

599xxx

Hoisting Specifications

**Outrigger support base
7,50 m x 5,72 m**

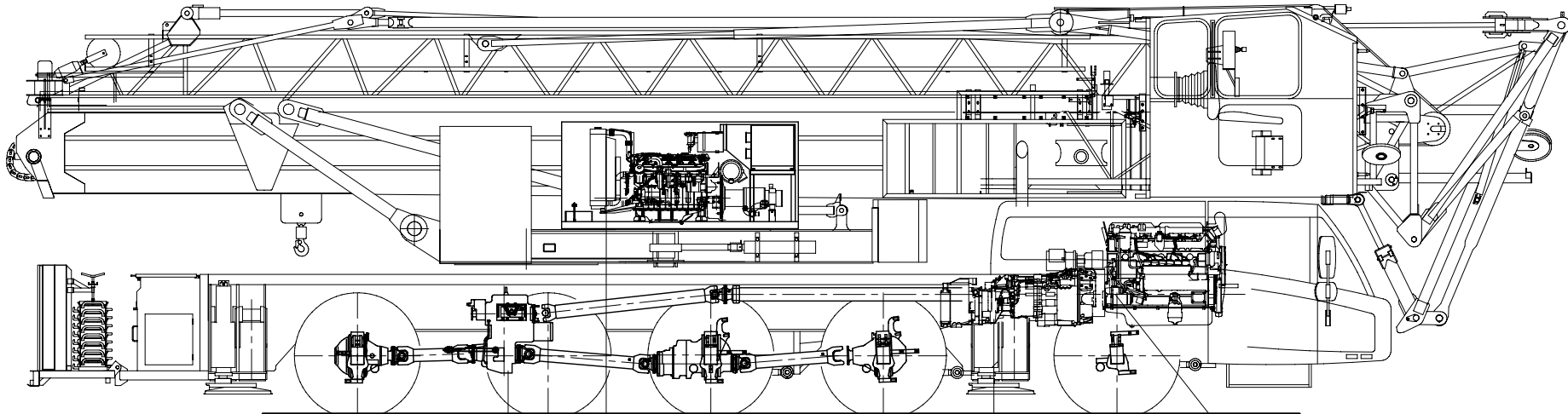


Hookheight (m)

- R1 : Superstructure
- R2 : Guy bars
- R3 : Counterweight

SPIERINGS
MOBILE CRANES

Merwedestraat 15
5347 KZ Oss NL
Tel. +31 (0)412-626964
Fax +31 (0)412-645299
www.spieringscranes.com



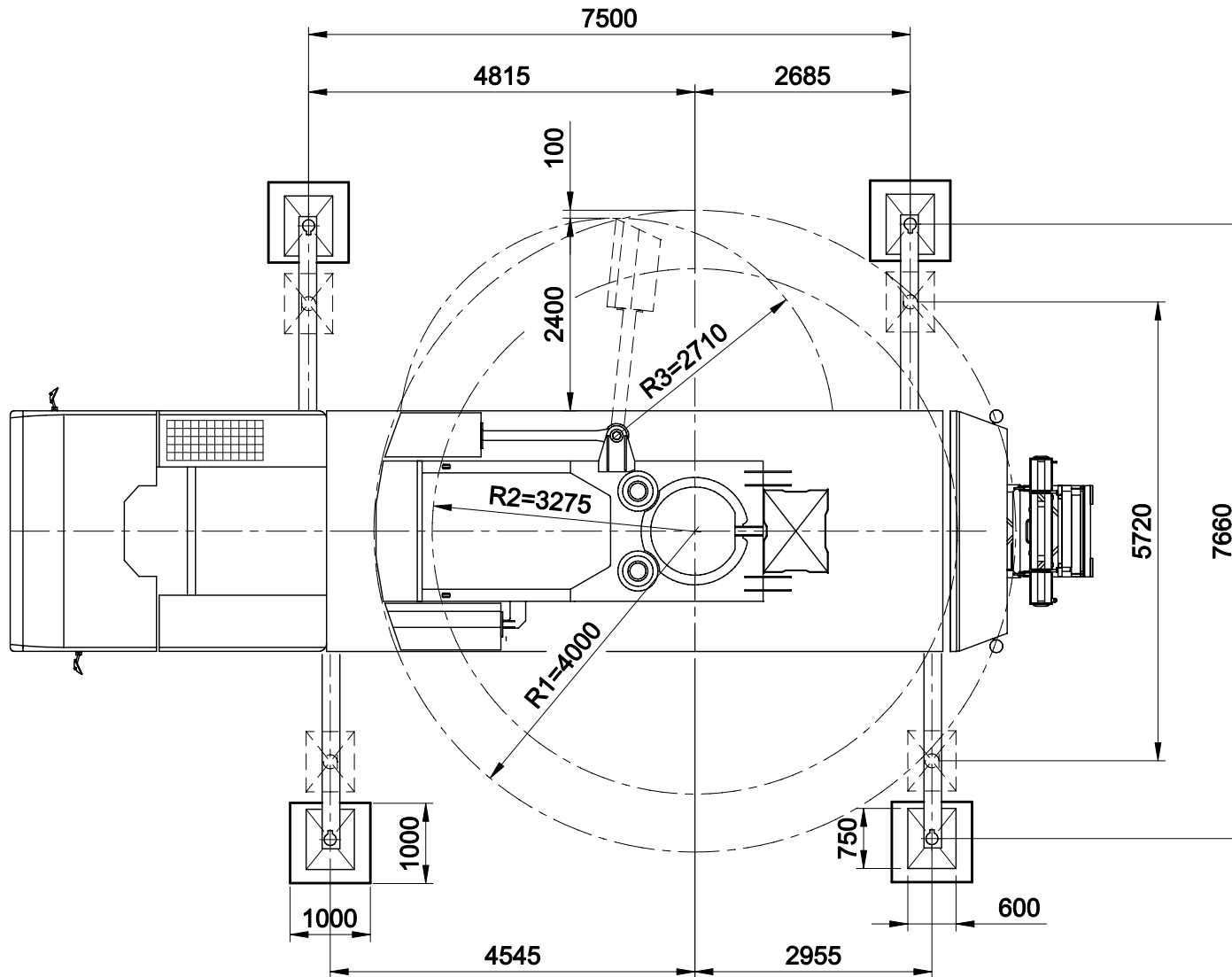
Axle 5	Axle 4	Axle 3	Axle 2	Axle 1
Transfer box: STEYR VG2001/396 Road gear $i=0,89$ Off road gear $i=1,54$		Crane diesel engine: John Deere 4045HF475 Power: 129 kW (2200 rpm) Torque: 700 Nm (1400 rpm)		Gearbox: ZF 16AS2601 Automatic Dry plate clutch + retarder
Carrier diesel engine: Euro IV DAF: MX 375 (12,9 ltr) Power: 375 kW (1900 rpm) Torque: 2500 Nm (1000-1410 rpm)				

Axle 1 : Steer axle	Tyres	: 445/75 R22,5
Axle 2 : Steer drive axle (end reduction $i=7,29$)	Suspension: hydro-pneumatic on all axles; stroke cyl.	: 247 mm
Axle 3 : Drive axle , non steered (end reduction $i=7,29$)	Max. speed carrier	: 85 km/h
Axle 4 : Steer axle	Min. speed carrier (engine at 1000 rpm)	: 1,6 km/h
Axle 5 : Steer drive axle (end reduction $i=7,29$)	Overall weight	: 60.000 kg.

Drive train Spierings Folding Crane SK 599 - AT5


SPIERINGS
MOBILE CRANES
 Merwedestraat 15
 5347 KZ Oss NL
 Tel. +31 (0)412-626964
 Fax +31 (0)412-645299
www.spieringscranes.com

Changes subject to modifications



R1 : Superstructure
R2 : Guy bars
R3 : Counterweight

SPIERINGS

HYDRAULIC FOLDING CRANE

SK 599 - AT5

599xxx

Outrigger support base	
Max. outrigger force	440 kN
Outrigger support pads	750x600 mm
Ground pressure	1,00 N/mm ²
Outrigger support plates	1000x1000 mm
Surface	1,00 m ²
Ground pressure	0,44 N/mm ²


SPIERINGS
MOBILE CRANES

Merwedestraat 15
 5347 KZ Oss NL
 Tel. +31 (0)412-626964
 Fax +31 (0)412-645299
www.spieringscranes.com